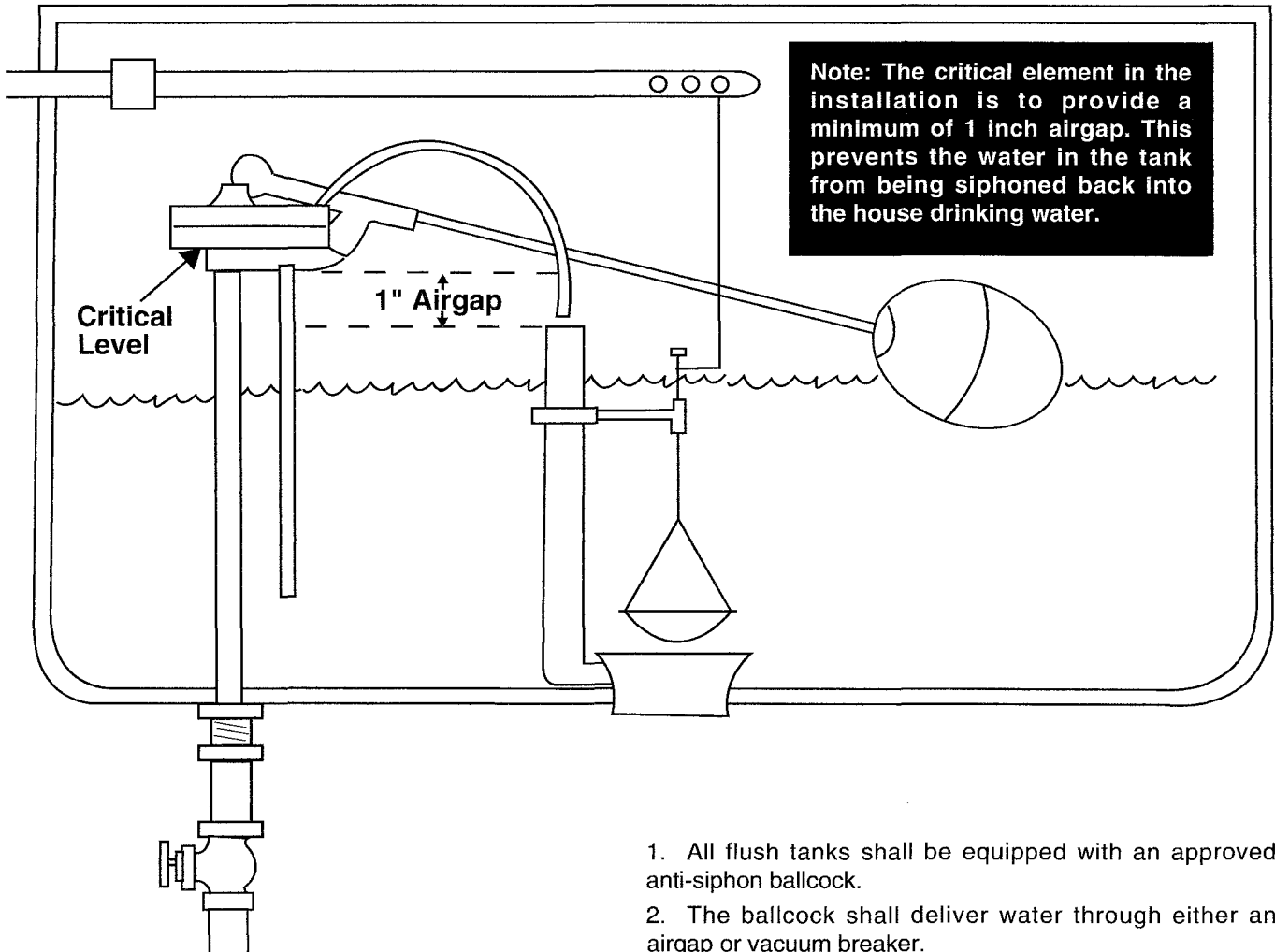


## Old style ballcock installation



1. All flush tanks shall be equipped with an approved anti-siphon ballcock.
2. The ballcock shall deliver water through either an airgap or vacuum breaker.
3. The ballcock should be marked with a critical level "C-L".
4. The critical level of the ballcock shall be one 1 inch above the top of the overflow.
5. In the absence of a "C-L" marking, the bottom of the vacuum breaker shall be taken as the "C-L".
6. The overflow tube shall not be cutoff, as this will result in an incomplete flush.